



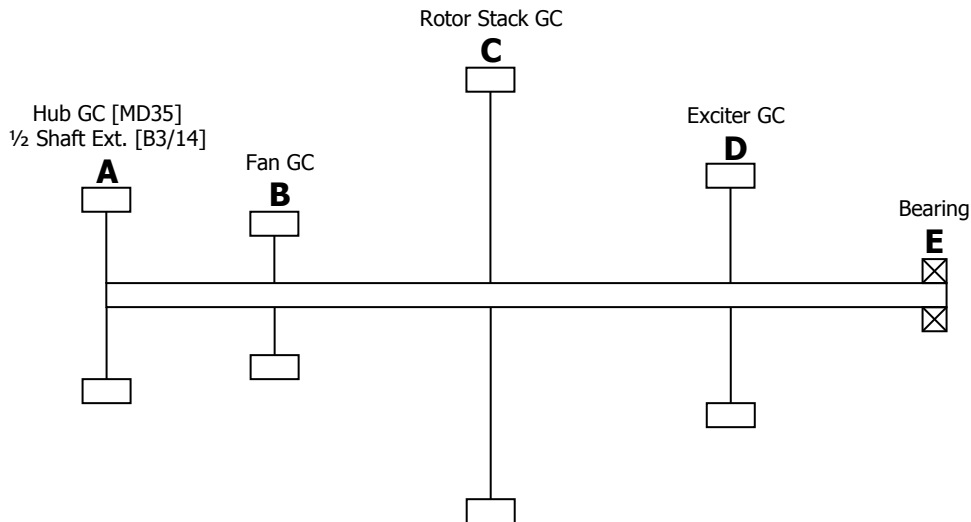
POWER FROM WITHIN

GUIDA TECNICA
RIGIDEZZA
DEGLI ALBERI

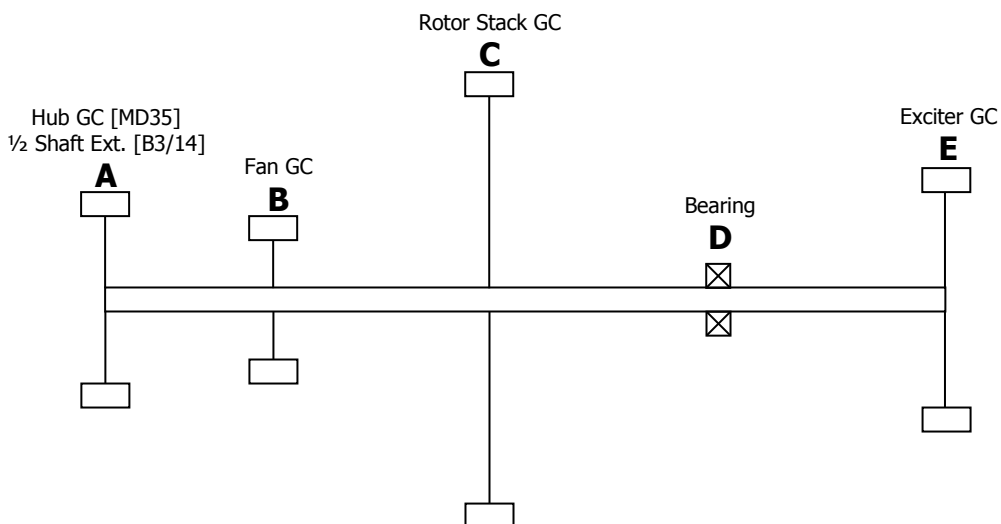
SHAFT STIFFNESS

TECHNICAL GUIDE

ECP28C 4 MD35-B3/14
 ECP32B 4 MD35-B3/14
 ECP32C 4 MD35-B3/14
 ECP34A 4 MD35-B3/14
 ECP34C 4 MD35-B3/14
 ECO38C 4 MD35-B3/14



ECO38A 4 MD35-B3/14
 ECO40B 4 MD35-B3/14
 ECO40C 4 MD35-B3/14
 ECO43A 4 MD35-B3/14
 ECO46A 4 MD35-B3/14



Shaft steel main characteristic:

Steel grade:	C45 according to UNI EN 10083/1
Elasticity Module [Kg/mm]	8600
Maximum allowable shaft stress [N/mm ²]	50

ECP28C 4 B3/B14

Model	A - B	B - C	C - D	D - E	A - C
ECP28 1VS4 C	3,95267E+05	8,57200E+05	6,14771E+05	6,85249E+05	2,70525E+05
ECP28 2VS4 C	3,95267E+05	9,36001E+05	5,79765E+05	6,85249E+05	2,77908E+05
ECP28 1S4 C	3,95267E+05	6,78654E+05	5,52251E+05	6,85249E+05	2,49785E+05
ECP28 2S4 C	3,95267E+05	7,08154E+05	5,34144E+05	6,85249E+05	2,53675E+05
ECP28 3S4 C	3,95267E+05	7,61088E+05	5,07519E+05	6,85249E+05	2,60156E+05
ECP28 M4 C	3,95267E+05	6,96051E+05	4,77752E+05	6,85249E+05	2,52104E+05
ECP28 L4 C	3,95267E+05	6,03262E+05	4,34435E+05	6,85249E+05	2,38801E+05
ECP28 VL4 C	3,95267E+05	5,15459E+05	3,88814E+05	6,85249E+05	2,23716E+05

All values are given in Nm/Rad.

ECP32B 4 B3/B14

Model	A - B	B - C	C - D	D - E	A - C
ECP32 2S4 B	8,26304E+05	1,01377E+06	6,32627E+05	7,90709E+05	4,55243E+05
ECP32 3S4 B	8,26304E+05	9,34995E+05	6,67732E+05	7,90709E+05	4,38648E+05
ECP32 1M4 B	8,26304E+05	8,43262E+05	5,51045E+05	7,90709E+05	4,17348E+05
ECP32 2M4 B	8,26304E+05	7,48807E+05	6,00547E+05	7,90709E+05	3,92824E+05
ECP32 3L4 B	8,26304E+05	6,64388E+05	5,07483E+05	7,49982E+05	3,68276E+05
ECP32 4L4 B	8,26304E+05	6,49980E+05	5,16224E+05	7,49982E+05	3,63806E+05

All values are given in Nm/Rad.

ECP32C 4 B3/B14

Model	A - B	B - C	C - D	D - E	A - C
ECP32 1S4 C	8,22370E+05	9,17861E+05	7,15371E+05	8,03912E+05	4,33748E+05
ECP32 2S4 C	8,22370E+05	9,74792E+05	6,84226E+05	8,03912E+05	4,46059E+05
ECP32 1M4 C	8,22370E+05	7,18531E+05	6,48911E+05	8,03912E+05	3,83476E+05
ECP32 2M4 C	8,22370E+05	8,00921E+05	5,93751E+05	8,03912E+05	4,05752E+05
ECP32 1L4 C	8,22370E+05	6,94710E+05	5,32641E+05	7,63424E+05	3,76584E+05
ECP32 2L4 C	8,22370E+05	7,10411E+05	5,23765E+05	7,63424E+05	3,81151E+05

All values are given in Nm/Rad.

ECP34A 4 B3/B14

Model	A - B	B - C	C - D	D - E	A - C
ECP34 1S4 A	1,32220E+06	1,71718E+06	1,06381E+06	1,50862E+06	7,47011E+05
ECP34 2S4 A	1,32220E+06	1,49060E+06	1,17440E+06	1,50862E+06	7,00679E+05
ECP34 1L4 A	1,32220E+06	1,39835E+06	9,58508E+05	1,50862E+06	6,79603E+05
ECP34 2L4 A	1,32220E+06	1,26760E+06	1,03144E+06	1,50862E+06	6,47160E+05
ECP34 3L4 A	1,32220E+06	1,26760E+06	1,03144E+06	1,50862E+06	6,47160E+05

All values are given in Nm/Rad.

ECP34C 4 B3/B14

Model	A - B	B - C	C - D	D - E	A - C
ECP34 1S4 C	1,67148E+06	1,48360E+06	1,42707E+06	2,32907E+06	7,85973E+05
ECP34 2S4 C	1,67148E+06	1,66570E+06	1,29128E+06	2,32907E+06	8,34294E+05
ECP34 1M4 C	1,67148E+06	1,45185E+06	1,24393E+06	2,32907E+06	7,76972E+05
ECP34 2M4 C	1,67148E+06	1,51676E+06	1,19993E+06	2,32907E+06	7,95184E+05
ECP34 1L4 C	1,67148E+06	1,29898E+06	1,12999E+06	2,32907E+06	7,30937E+05
ECP34 2L4 C	1,67148E+06	1,35070E+06	1,09356E+06	2,32907E+06	7,47032E+05

All values are given in Nm/Rad.

ECO38A 4 B3/14

Model	A - B	B - C	C - D	D - E	A - C
ECO38 1S4 A	3,35674E+06	2,75013E+06	2,25880E+06	1,22522E+06	1,51165E+06
ECO38 2S4 A	3,35674E+06	2,64231E+06	2,33713E+06	1,22522E+06	1,47849E+06
ECO38 3S4 A	3,35674E+06	2,49554E+06	2,46538E+06	1,22522E+06	1,43139E+06
ECO38 1L4 A	3,35674E+06	2,32347E+06	1,45445E+06	1,22522E+06	1,37306E+06
ECO38 2L4 A	3,35674E+06	2,09912E+06	1,55874E+06	1,22522E+06	1,29149E+06
ECO38 3L4 A	3,35674E+06	1,79690E+06	1,78120E+06	1,22522E+06	1,17038E+06

All values are given in Nm/Rad.

ECO38C 4 B3/14

Model	A - B	B - C	C - D	D - E	A - C
ECO38 1S4 C	3,35674E+06	2,75013E+06	2,28295E+06	2,88076E+06	1,51165E+06
ECO38 2S4 C	3,35674E+06	2,64231E+06	2,20822E+06	2,88076E+06	1,47849E+06
ECO38 1M4 C	3,35674E+06	2,49554E+06	2,10488E+06	2,88076E+06	1,43139E+06
ECO38 2M4 C	3,35674E+06	2,32347E+06	1,98124E+06	2,88076E+06	1,37306E+06
ECO38 1L4 C	3,35674E+06	2,09912E+06	1,79658E+06	2,88076E+06	1,29149E+06
ECO38 2L4 C	3,35674E+06	1,79690E+06	1,58547E+06	2,88076E+06	1,17038E+06

All values are given in Nm/Rad.

ECO40B 4 B3/14

Model	A - B	B - C	C - D	D - E	A - C
ECO40 1S4 B	4,56961E+06	7,31710E+06	4,34435E+06	3,20864E+06	2,81291E+06
ECO40 2S4 B	4,56961E+06	6,67705E+06	4,60653E+06	3,20864E+06	2,71294E+06
ECO40 3S4 B	4,56961E+06	6,19534E+06	4,86764E+06	3,20864E+06	2,62986E+06
ECO40 1L4 B	4,56961E+06	5,77846E+06	3,44989E+06	3,20864E+06	2,55171E+06
ECO40 1.5L4 B	4,56961E+06	5,05556E+06	3,77189E+06	3,20864E+06	2,40016E+06
ECO40 2L4 B	4,56961E+06	4,77448E+06	3,94518E+06	3,20864E+06	2,33490E+06
ECO40 VL4 B	4,56961E+06	4,19183E+06	3,53874E+06	3,20864E+06	2,18629E+06

All values are given in Nm/Rad.

ECO40C 4 B3/14

Model	A - B	B - C	C - D	D - E	A - C
ECO40 1S4 C	4,56961E+06	7,31710E+06	4,34435E+06	3,20864E+06	2,81291E+06
ECO40 2S4 C	4,56961E+06	6,67705E+06	4,60653E+06	3,20864E+06	2,71294E+06
ECO40 3S4 C	4,56961E+06	6,19534E+06	4,86764E+06	3,20864E+06	2,62986E+06
ECO40 1L4 C	4,56961E+06	5,77846E+06	3,44989E+06	3,20864E+06	2,55171E+06
ECO40 2L4 C	4,56961E+06	5,05556E+06	3,77189E+06	3,20864E+06	2,40016E+06
ECO40 3L4 C	4,56961E+06	4,77448E+06	3,94518E+06	3,20864E+06	2,33490E+06
ECO40 VL4 C	4,56961E+06	4,19183E+06	3,53874E+06	3,20864E+06	2,18629E+06

All values are given in Nm/Rad.

ECO43A 4 B3/14

Model	A - B	B - C	C - D	D - E	A - C
ECO43 1S4 A	6,63553E+06	8,04157E+06	6,34885E+06	5,57601E+06	3,63560E+06
ECO43 2S4 A	6,63553E+06	7,38744E+06	6,82605E+06	5,57601E+06	3,49566E+06
ECO43 1M4 A	6,34431E+06	7,32686E+06	5,61036E+06	5,31917E+06	3,40014E+06
ECO43 2M4 A	6,63553E+06	6,68797E+06	5,12134E+06	5,57601E+06	3,33083E+06
ECO43 2L4 A	6,63553E+06	5,99429E+06	5,61930E+06	5,57601E+06	3,14932E+06
ECO43 VL4 A	6,63553E+06	5,75030E+06	4,97716E+06	5,57601E+06	3,08064E+06

All values are given in Nm/Rad.

ECO46A 4 B3/14

Model	A - B	B - C	C - D	D - E	A - C
ECO46 1S4 A	1,48962E+07	1,74870E+07	9,76883E+06	4,32992E+06	8,04398E+06
ECO46 1.5S4 A	1,48962E+07	1,56993E+07	1,04325E+07	4,32992E+06	7,64360E+06
ECO46 2S4 A	1,48962E+07	1,50170E+07	1,07572E+07	4,32992E+06	7,47818E+06
ECO46 1L4 A	1,48962E+07	1,35453E+07	8,72097E+06	4,32992E+06	7,09433E+06
ECO46 1.5L4 A	1,48962E+07	1,25605E+07	9,18459E+06	4,32992E+06	6,81450E+06
ECO46 2L4 A	1,48962E+07	1,31585E+07	9,50025E+06	4,32992E+06	6,98677E+06
ECO46 VL4 A	1,47791E+07	9,86388E+06	7,93133E+06	4,56382E+06	5,91565E+06

All values are given in Nm/Rad.

ECP28C 4 MD35

Model	SAE Disk	A - B	B - C	C - D	D - E	A - C
ECP28 1VS4 C	6,5	1,04912E+06	8,60524E+05	6,14771E+05	6,85249E+05	4,72755E+05
	7,5	1,04772E+06	8,60524E+05	6,14771E+05	6,85249E+05	4,72470E+05
	8	1,00433E+06	8,60524E+05	6,14771E+05	6,85249E+05	4,63441E+05
	10	1,00764E+06	8,60524E+05	6,14771E+05	6,85249E+05	4,64144E+05
	11,5	1,00690E+06	8,60524E+05	6,14771E+05	6,85249E+05	4,63987E+05
ECP28 2VS4 C	11,5	1,04912E+06	9,29242E+05	5,83922E+05	6,85249E+05	4,92775E+05
	7,5	1,04772E+06	9,29242E+05	5,83922E+05	6,85249E+05	4,92465E+05
	8	1,00433E+06	9,29242E+05	5,83922E+05	6,85249E+05	4,82664E+05
	10	1,00764E+06	9,29242E+05	5,83922E+05	6,85249E+05	4,83426E+05
	11,5	1,00690E+06	9,29242E+05	5,83922E+05	6,85249E+05	4,83256E+05
ECP28 1S4 C	6,5	1,04912E+06	6,80735E+05	5,52251E+05	6,85249E+05	4,12852E+05
	7,5	1,04772E+06	6,80735E+05	5,52251E+05	6,85249E+05	4,12634E+05
	8	1,00433E+06	6,80735E+05	5,52251E+05	6,85249E+05	4,05731E+05
	10	1,00764E+06	6,80735E+05	5,52251E+05	6,85249E+05	4,06269E+05
	11,5	1,00690E+06	6,80735E+05	5,52251E+05	6,85249E+05	4,06149E+05
ECP28 2S4 C	6,5	1,04912E+06	7,10421E+05	5,34144E+05	6,85249E+05	4,23587E+05
	7,5	1,04772E+06	7,10421E+05	5,34144E+05	6,85249E+05	4,23358E+05
	8	1,00433E+06	7,10421E+05	5,34144E+05	6,85249E+05	4,16093E+05
	10	1,00764E+06	7,10421E+05	5,34144E+05	6,85249E+05	4,16660E+05
	11,5	1,00690E+06	7,10421E+05	5,34144E+05	6,85249E+05	4,16533E+05
ECP28 3S4 C	6,5	1,04912E+06	7,56613E+05	5,10701E+05	6,85249E+05	4,39588E+05
	7,5	1,04772E+06	7,56613E+05	5,10701E+05	6,85249E+05	4,39342E+05
	8	1,00433E+06	7,56613E+05	5,10701E+05	6,85249E+05	4,31524E+05
	10	1,00764E+06	7,56613E+05	5,10701E+05	6,85249E+05	4,32133E+05
	11,5	1,00690E+06	7,56613E+05	5,10701E+05	6,85249E+05	4,31997E+05
ECP28 M4 C	6,5	1,04912E+06	6,92307E+05	4,80571E+05	6,85249E+05	4,17080E+05
	7,5	1,04772E+06	6,92307E+05	4,80571E+05	6,85249E+05	4,16858E+05
	8	1,00433E+06	6,92307E+05	4,80571E+05	6,85249E+05	4,09813E+05
	10	1,00764E+06	6,92307E+05	4,80571E+05	6,85249E+05	4,10363E+05
	11,5	1,00690E+06	6,92307E+05	4,80571E+05	6,85249E+05	4,10240E+05
ECP28 L4 C	6,5	1,04912E+06	6,04906E+05	4,34435E+05	6,85249E+05	3,83682E+05
	7,5	1,04772E+06	6,04906E+05	4,34435E+05	6,85249E+05	3,83494E+05
	8	1,00433E+06	6,04906E+05	4,34435E+05	6,85249E+05	3,77524E+05
	10	1,00764E+06	6,04906E+05	4,34435E+05	6,85249E+05	3,77990E+05
	11,5	1,00690E+06	6,04906E+05	4,34435E+05	6,85249E+05	3,77886E+05
ECP28 VL4 C	6,5	1,04912E+06	5,16659E+05	3,88814E+05	6,85249E+05	3,46178E+05
	7,5	1,04772E+06	5,16659E+05	3,88814E+05	6,85249E+05	3,46025E+05
	8	1,00433E+06	5,16659E+05	3,88814E+05	6,85249E+05	3,41157E+05
	10	1,00764E+06	5,16659E+05	3,88814E+05	6,85249E+05	3,41538E+05
	11,5	1,00690E+06	5,16659E+05	3,88814E+05	6,85249E+05	3,41453E+05

All values are given in Nm/Rad.

ECP32B 4 MD35

Model	SAE Disk	A - B	B - C	C - D	D - E	A - C
ECP32 2S4 B	6,5	8,13155E+05	1,01377E+06	6,32627E+05	7,90709E+05	4,51223E+05
	7,5	8,13092E+05	1,01377E+06	6,32627E+05	7,90709E+05	4,51204E+05
	8	7,89137E+05	1,01377E+06	6,32627E+05	7,90709E+05	4,43729E+05
	10	8,09744E+05	1,01377E+06	6,32627E+05	7,90709E+05	4,50171E+05
	11,5	7,69535E+05	1,01377E+06	6,32627E+05	7,90709E+05	4,37463E+05
ECP32 3S4 B	6,5	8,13155E+05	9,34995E+05	6,67732E+05	7,90709E+05	4,34915E+05
	7,5	8,13092E+05	9,34995E+05	6,67732E+05	7,90709E+05	4,34896E+05
	8	7,89137E+05	9,34995E+05	6,67732E+05	7,90709E+05	4,27948E+05
	10	8,09744E+05	9,34995E+05	6,67732E+05	7,90709E+05	4,33937E+05
	11,5	7,69535E+05	9,34995E+05	6,67732E+05	7,90709E+05	4,22117E+05
ECP32 1M4 B	6,5	8,13155E+05	8,43262E+05	5,51045E+05	7,90709E+05	4,13968E+05
	7,5	8,13092E+05	8,43262E+05	5,51045E+05	7,90709E+05	4,13951E+05
	8	7,89137E+05	8,43262E+05	5,51045E+05	7,90709E+05	4,07651E+05
	10	8,09744E+05	8,43262E+05	5,51045E+05	7,90709E+05	4,13082E+05
	11,5	7,69535E+05	8,43262E+05	5,51045E+05	7,90709E+05	4,02357E+05
ECP32 2M4 B	6,5	8,13155E+05	7,50675E+05	5,99351E+05	7,90709E+05	3,90334E+05
	7,5	8,13092E+06	7,50675E+06	5,99351E+06	7,90709E+06	3,90319E+05
	8	7,89137E+05	7,50675E+05	5,99351E+05	7,90709E+05	3,84713E+05
	10	8,09744E+05	7,50675E+05	5,99351E+05	7,90709E+05	3,89546E+05
	11,5	7,69535E+05	7,50675E+05	5,99351E+05	7,90709E+05	3,79994E+05
ECP32 3L4 B	6,5	8,13155E+05	6,64388E+05	5,07483E+05	7,49982E+05	3,65641E+05
	7,5	8,13092E+05	6,64388E+05	5,07483E+05	7,49982E+05	3,65628E+05
	8	7,89137E+05	6,64388E+05	5,07483E+05	7,49982E+05	3,60705E+05
	10	8,09744E+05	6,64388E+05	5,07483E+05	7,49982E+05	3,64950E+05
	11,5	7,69535E+05	6,64388E+05	5,07483E+05	7,49982E+05	3,56553E+05
ECP32 4L4 B	6,5	8,13155E+05	6,49980E+05	5,16224E+05	7,49982E+05	3,61234E+05
	7,5	8,13092E+05	6,49980E+05	5,16224E+05	7,49982E+05	3,61222E+05
	8	7,89137E+05	6,49980E+05	5,16224E+05	7,49982E+05	3,56415E+05
	10	8,09744E+05	6,49980E+05	5,16224E+05	7,49982E+05	3,60560E+05
	11,5	7,69535E+05	6,49980E+05	5,16224E+05	7,49982E+05	3,52362E+05

All values are given in Nm/Rad.

ECP32C 4 MD35

Model	SAE Disk	A - B	B - C	C - D	D - E	A - C
ECP32 1S4 C	6,5	9,76380E+05	9,19002E+05	7,15371E+05	8,03912E+05	4,73411E+05
	7,5	9,76288E+05	9,19002E+05	7,15371E+05	8,03912E+05	4,73390E+05
	8	9,41957E+05	9,19002E+05	7,15371E+05	8,03912E+05	4,65169E+05
	10	9,71466E+05	9,19002E+05	7,15371E+05	8,03912E+05	4,72253E+05
	11,5	8,97556E+05	9,19002E+05	7,15371E+05	8,03912E+05	4,54076E+05
ECP32 2S4 C	6,5	9,76380E+05	9,76079E+05	6,84226E+05	8,03912E+05	4,88115E+05
	7,5	9,76288E+05	9,76079E+05	6,84226E+05	8,03912E+05	4,88092E+05
	8	9,41957E+05	9,76079E+05	6,84226E+05	8,03912E+05	4,79357E+05
	10	9,71466E+05	9,76079E+05	6,84226E+05	8,03912E+05	4,86884E+05
	11,5	8,97556E+05	9,76079E+05	6,84226E+05	8,03912E+05	4,67586E+05
ECP32 1M4 C	6,5	9,76380E+05	7,19230E+05	6,48911E+05	8,03912E+05	4,14153E+05
	7,5	9,76288E+05	7,19230E+05	6,48911E+05	8,03912E+05	4,14136E+05
	8	9,41957E+05	7,19230E+05	6,48911E+05	8,03912E+05	4,07831E+05
	10	9,71466E+05	7,19230E+05	6,48911E+05	8,03912E+05	4,13266E+05
	11,5	8,97556E+05	7,19230E+05	6,48911E+05	8,03912E+05	3,99279E+05
ECP32 2M4 C	6,5	9,76380E+05	8,01790E+05	5,93751E+05	8,03912E+05	4,40257E+05
	7,5	9,76288E+05	8,01790E+05	5,93751E+05	8,03912E+05	4,40238E+05
	8	9,41957E+05	8,01790E+05	5,93751E+05	8,03912E+05	4,33120E+05
	10	9,71466E+05	8,01790E+05	5,93751E+05	8,03912E+05	4,39255E+05
	11,5	8,97556E+05	8,01790E+05	5,93751E+05	8,03912E+05	4,23487E+05
ECP32 1L4 C	6,5	9,76380E+05	6,95363E+05	5,32641E+05	7,63424E+05	4,06126E+05
	7,5	9,76288E+05	6,95363E+05	5,32641E+05	7,63424E+05	4,06110E+05
	8	9,41957E+05	6,95363E+05	5,32641E+05	7,63424E+05	4,00045E+05
	10	9,71466E+05	6,95363E+05	5,32641E+05	7,63424E+05	4,05274E+05
	11,5	8,97556E+05	6,95363E+05	5,32641E+05	7,63424E+05	3,91814E+05
ECP32 2L4 C	6,5	9,76380E+05	7,11095E+05	5,23765E+05	7,63424E+05	4,11442E+05
	7,5	9,76288E+05	7,11095E+05	5,23765E+05	7,63424E+05	4,11426E+05
	8	9,41957E+05	7,11095E+05	5,23765E+05	7,63424E+05	4,05202E+05
	10	9,71466E+05	7,11095E+05	5,23765E+05	7,63424E+05	4,10567E+05
	11,5	8,97556E+05	7,11095E+05	5,23765E+05	7,63424E+05	3,96759E+05

All values are given in Nm/Rad.

ECP34A 4 MD35

Model	SAE Disk	A - B	B - C	C - D	D - E	A - C
ECP34 1S4 A	10	1,07334E+06	1,71718E+06	1,06381E+06	1,50862E+06	6,60491E+05
	11,5	1,07178E+06	1,71718E+06	1,06381E+06	1,50862E+06	6,59901E+05
	14	1,07334E+06	1,71718E+06	1,06381E+06	1,50862E+06	6,60491E+05
ECP34 2S4 A	10	1,07334E+06	1,49060E+06	1,17440E+06	1,50862E+06	6,24008E+05
	11,5	1,07178E+06	1,49060E+06	1,17440E+06	1,50862E+06	6,23481E+05
	14	1,07334E+06	1,49060E+06	1,17440E+06	1,50862E+06	6,24008E+05
ECP34 1L4 A	10	1,07334E+06	1,39835E+06	9,58508E+05	1,50862E+06	6,07237E+05
	11,5	1,07178E+06	1,39835E+06	9,58508E+05	1,50862E+06	6,06738E+05
	14	1,07334E+06	1,39835E+06	9,58508E+05	1,50862E+06	6,07237E+05
ECP34 2L4 A	10	1,07334E+06	1,26760E+06	1,03144E+06	1,50862E+06	5,81203E+05
	11,5	1,07178E+06	1,26760E+06	1,03144E+06	1,50862E+06	5,80746E+05
	14	1,07334E+06	1,26760E+06	1,03144E+06	1,50862E+06	5,81203E+05
ECP34 3L4 A	10	1,07334E+06	1,26760E+06	1,03144E+06	1,50862E+06	5,81203E+05
	11,5	1,07178E+06	1,26760E+06	1,03144E+06	1,50862E+06	5,80746E+05
	14	1,07334E+06	1,26760E+06	1,03144E+06	1,50862E+06	5,81203E+05

All values are given in Nm/Rad.

ECP34C 4 MD35

Model	SAE Disk	A - B	B - C	C - D	D - E	A - C
ECP34 1S4 C	10	3,27151E+06	1,46755E+06	1,44223E+06	2,32907E+06	1,01309E+06
	11,5	3,23644E+06	1,46755E+06	1,44223E+06	2,32907E+06	1,00971E+06
	14	3,30364E+06	1,46755E+06	1,44223E+06	2,32907E+06	1,01615E+06
ECP34 2S4 C	10	3,27151E+06	1,66570E+06	1,29128E+06	2,32907E+06	1,10373E+06
	11,5	3,23644E+06	1,66570E+06	1,29128E+06	2,32907E+06	1,09971E+06
	14	3,30364E+06	1,66570E+06	1,29128E+06	2,32907E+06	1,10737E+06
ECP34 1M4 C	10	3,27151E+06	1,45185E+06	1,24393E+06	2,32907E+06	1,00559E+06
	11,5	3,23644E+06	1,45185E+06	1,24393E+06	2,32907E+06	1,00225E+06
	14	3,30364E+06	1,45185E+06	1,24393E+06	2,32907E+06	1,00860E+06
ECP34 2M4 C	10	3,27151E+06	1,51676E+06	1,19993E+06	2,32907E+06	1,03630E+06
	11,5	3,23644E+06	1,51676E+06	1,19993E+06	2,32907E+06	1,03276E+06
	14	3,30364E+06	1,51676E+06	1,19993E+06	2,32907E+06	1,03950E+06
ECP34 1L4 C	10	3,27151E+06	1,29898E+06	1,12999E+06	2,32907E+06	9,29796E+05
	11,5	3,23644E+06	1,29898E+06	1,12999E+06	2,32907E+06	9,26941E+05
	14	3,30364E+06	1,29898E+06	1,12999E+06	2,32907E+06	9,32373E+05
ECP34 2L4 C	10	3,27151E+06	1,35070E+06	1,09356E+06	2,32907E+06	9,55997E+05
	11,5	3,23644E+06	1,35070E+06	1,09356E+06	2,32907E+06	9,52979E+05
	14	3,30364E+06	1,35070E+06	1,09356E+06	2,32907E+06	9,58721E+05

All values are given in Nm/Rad.

ECO38A 4 MD35

Model	SAE Disk	A - B	B - C	C - D	D - E	A - C
ECO38 1S4 A	11,5	3,24819E+06	2,75013E+06	2,25880E+06	1,22522E+06	1,48924E+06
	14	3,44509E+06	2,75013E+06	2,25880E+06	1,22522E+06	1,52932E+06
ECO38 2S4 A	11,5	3,24819E+06	2,64231E+06	2,33713E+06	1,22522E+06	1,45704E+06
	14	3,44509E+06	2,64231E+06	2,33713E+06	1,22522E+06	1,49538E+06
ECO38 3S4 A	11,5	3,24819E+06	2,49554E+06	2,46538E+06	1,22522E+06	1,41128E+06
	14	3,44509E+06	2,49554E+06	2,46538E+06	1,22522E+06	1,44722E+06
ECO38 1L4 A	11,5	3,24819E+06	2,32347E+06	1,45445E+06	1,22522E+06	1,35455E+06
	14	3,44509E+06	2,32347E+06	1,45445E+06	1,22522E+06	1,38762E+06
ECO38 2L4 A	11,5	3,24819E+06	2,09912E+06	1,55874E+06	1,22522E+06	1,27510E+06
	14	3,44509E+06	2,09912E+06	1,55874E+06	1,22522E+06	1,30436E+06
ECO38 3L4 A	11,5	3,24819E+06	1,79690E+06	1,78120E+06	1,22522E+06	1,15690E+06
	14	3,44509E+06	1,79690E+06	1,78120E+06	1,22522E+06	1,18094E+06

All values are given in Nm/Rad.

ECO38C 4 MD35

Model	SAE Disk	A - B	B - C	C - D	D - E	A - C
ECO38 1S4 C	11,5	3,30539E+06	2,87163E+06	2,28295E+06	2,88076E+06	1,53664E+06
	14	3,47823E+06	2,87163E+06	2,28295E+06	2,88076E+06	1,57298E+06
ECO38 2S4 C	11,5	3,30539E+06	2,99930E+06	2,20822E+06	2,88076E+06	1,57246E+06
	14	3,47823E+06	2,99930E+06	2,20822E+06	2,88076E+06	1,61053E+06
ECO38 1M4 C	11,5	3,30539E+06	2,41000E+06	2,10488E+06	2,88076E+06	1,39378E+06
	14	3,47823E+06	2,41000E+06	2,10488E+06	2,88076E+06	1,42361E+06
ECO38 2M4 C	11,5	3,30539E+06	2,59544E+06	1,98124E+06	2,88076E+06	1,45385E+06
	14	3,47823E+06	2,59544E+06	1,98124E+06	2,88076E+06	1,48634E+06
ECO38 1L4 C	11,5	3,30539E+06	1,70823E+06	1,79658E+06	2,88076E+06	1,12620E+06
	14	3,47823E+06	1,70823E+06	1,79658E+06	2,88076E+06	1,14560E+06
ECO38 2L4 C	11,5	3,30539E+06	1,95585E+06	1,58547E+06	2,88076E+06	1,22877E+06
	14	3,47823E+06	1,95585E+06	1,58547E+06	2,88076E+06	1,25189E+06

All values are given in Nm/Rad.

ECO40B 4 MD35

Model	SAE Disk	A - B	B - C	C - D	D - E	A - C
ECO40 1S4 B	14	1,01655E+07	7,31710E+06	4,34435E+06	3,20864E+06	4,25463E+06
	18	1,00947E+07	7,31710E+06	4,34435E+06	3,20864E+06	4,24217E+06
ECO40 2S4 B	14	1,01655E+07	6,67705E+06	4,60653E+06	3,20864E+06	4,03001E+06
	18	1,00947E+07	6,67705E+06	4,60653E+06	3,20864E+06	4,01883E+06
ECO40 3S4 B	14	1,01655E+07	6,19534E+06	4,86764E+06	3,20864E+06	3,84936E+06
	18	1,00947E+07	6,19534E+06	4,86764E+06	3,20864E+06	3,83916E+06
ECO40 1L4 B	14	1,01655E+07	5,77846E+06	3,44989E+06	3,20864E+06	3,68421E+06
	18	1,00947E+07	5,77846E+06	3,44989E+06	3,20864E+06	3,67486E+06
ECO40 1.5L4 B	14	1,01655E+07	5,05556E+06	3,77189E+06	3,20864E+06	3,37639E+06
	18	1,00947E+07	5,05556E+06	3,77189E+06	3,20864E+06	3,36854E+06
ECO40 2L4 B	14	1,01655E+07	4,77448E+06	3,94518E+06	3,20864E+06	3,24866E+06
	18	1,00947E+07	4,77448E+06	3,94518E+06	3,20864E+06	3,24139E+06
ECO40 VL4 B	14	1,01655E+07	4,19183E+06	3,53874E+06	3,20864E+06	2,96796E+06
	18	1,00947E+07	4,19183E+06	3,53874E+06	3,20864E+06	2,96190E+06

All values are given in Nm/Rad.

ECO40C 4 MD35

Model	SAE Disk	A - B	B - C	C - D	D - E	A - C
ECO40 1S4 C	14	1,01655E+07	7,31710E+06	4,34435E+06	3,20864E+06	4,25463E+06
	18	1,00947E+07	7,31710E+06	4,34435E+06	3,20864E+06	4,24217E+06
ECO40 2S4 C	14	1,01655E+07	6,67705E+06	4,60653E+06	3,20864E+06	4,03001E+06
	18	1,00947E+07	6,67705E+06	4,60653E+06	3,20864E+06	4,01883E+06
ECO40 3S4 C	14	1,01655E+07	6,19534E+06	4,86764E+06	3,20864E+06	3,84936E+06
	18	1,00947E+07	6,19534E+06	4,86764E+06	3,20864E+06	3,83916E+06
ECO40 1L4 C	14	1,01655E+07	5,77846E+06	3,44989E+06	3,20864E+06	3,68421E+06
	18	1,00947E+07	5,77846E+06	3,44989E+06	3,20864E+06	3,67486E+06
ECO40 2L4 C	14	1,01655E+07	5,05556E+06	3,77189E+06	3,20864E+06	3,37639E+06
	18	1,00947E+07	5,05556E+06	3,77189E+06	3,20864E+06	3,36854E+06
ECO40 3L4 C	14	1,01655E+07	4,77448E+06	3,94518E+06	3,20864E+06	3,24866E+06
	18	1,00947E+07	4,77448E+06	3,94518E+06	3,20864E+06	3,24139E+06
ECO40 VL4 C	14	1,01655E+07	4,19183E+06	3,53874E+06	3,20864E+06	2,96796E+06
	18	1,00947E+07	4,19183E+06	3,53874E+06	3,20864E+06	2,96190E+06

All values are given in Nm/Rad.

ECO43A 4 MD35

Model	SAE Disk	A - B	B - C	C - D	D - E	A - C
ECO43 1S4 A	14	1,22834E+07	8,50144E+06	5,92371E+06	5,31917E+06	5,02417E+06
	18	1,21789E+07	8,50144E+06	5,92371E+06	5,31917E+06	5,00660E+06
	21	1,23719E+10	8,50144E+09	5,92371E+09	5,31917E+09	5,03891E+09
ECO43 2S4 A	14	1,22834E+07	7,77441E+06	6,33661E+06	5,31917E+06	4,76105E+06
	18	1,21789E+07	7,77441E+06	6,33661E+06	5,31917E+06	4,74527E+06
	21	1,23719E+07	7,77441E+06	6,33661E+06	5,31917E+06	4,77429E+06
ECO43 1M4 A	14	1,22834E+07	7,32686E+06	5,61036E+06	5,31917E+06	4,58937E+06
	18	1,21789E+07	7,32686E+06	5,61036E+06	5,31917E+06	4,57470E+06
	21	1,23719E+07	7,32686E+06	5,61036E+06	5,31917E+06	4,60167E+06
ECO43 2M4 A	14	1,22834E+07	7,00428E+06	5,81544E+06	5,31917E+06	4,46069E+06
	18	1,21789E+07	7,00428E+06	5,81544E+06	5,31917E+06	4,44684E+06
	21	1,23719E+07	7,00428E+06	5,81544E+06	5,31917E+06	4,47231E+06
ECO43 2L4 A	14	1,22834E+07	6,26630E+06	5,27112E+06	5,31917E+06	4,14947E+06
	18	1,21789E+07	6,26630E+06	5,27112E+06	5,31917E+06	4,13748E+06
	21	1,23719E+07	6,26630E+06	5,27112E+06	5,31917E+06	4,15952E+06
ECO43 VL4 A	14	1,228342E+07	5,689270E+06	5,033474E+06	5,319174E+06	3,888327E+06
	18	1,217890E+07	5,689270E+06	5,033474E+06	5,319174E+06	3,877792E+06
	21	1,237190E+07	5,689270E+06	5,033474E+06	5,319174E+06	3,897150E+06

All values are given in Nm/Rad.

ECO46A 4 MD35

Model	SAE Disk	A - B	B - C	C - D	D - E	A - C
ECO46 1S4 A	18	2,24299E+07	1,74870E+07	9,76883E+06	4,32992E+06	9,82621E+06
	21	2,10625E+07	1,74870E+07	9,76883E+06	4,32992E+06	9,55447E+06
ECO46 1.5S4 A	18	2,24299E+07	1,56993E+07	1,04325E+07	4,32992E+06	9,23528E+06
	21	2,10625E+07	1,56993E+07	1,04325E+07	4,32992E+06	8,99484E+06
ECO46 2S4 A	18	2,24299E+07	1,50170E+07	1,07572E+07	4,32992E+06	8,99486E+06
	21	2,10625E+07	1,50170E+07	1,07572E+07	4,32992E+06	8,76663E+06
ECO46 1L4 A	18	2,24299E+07	1,35453E+07	8,72097E+06	4,32992E+06	8,44525E+06
	21	2,10625E+07	1,35453E+07	8,72097E+06	4,32992E+06	8,24375E+06
ECO46 1.5L4 A	18	2,24299E+07	1,25605E+07	9,18459E+06	4,32992E+06	8,05166E+06
	21	2,10625E+07	1,25605E+07	9,18459E+06	4,32992E+06	7,86829E+06
ECO46 2L4 A	18	2,24299E+07	1,31585E+07	9,50025E+06	4,32992E+06	8,29326E+06
	21	2,10625E+07	1,31585E+07	9,50025E+06	4,32992E+06	8,09885E+06
ECO46 VL4 A	18	2,23880E+07	9,86388E+06	7,71553E+06	3,94915E+06	6,84712E+06
	21	2,22006E+07	9,86388E+06	7,71553E+06	3,94915E+06	6,82949E+06

All values are given in Nm/Rad.

MECC ALTE SPA (HQ)

Via Roma
20 – 36051 Creazzo
Vicenza – ITALY

T: +39 0444 396111
F: +39 0444 396166
E: info@meccalte.it
aftersales@meccalte.it

MECC ALTE PORTABLE

Via A. Volta
137038 Soave
Verona – ITALY

T: +39 0456 173411
F: +39 0456 101880
E: info@meccalte.it
aftersales@meccalte.it

MECC ALTE POWER PRODUCTS

Via Melaro
2 – 36075 Montecchio
Maggiore (VI) – ITALY

T: +39 0444 1831295
F: +39 0444 1831306
E: info@meccalte.it
aftersales@meccalte.it

ZANARDI ALTERNATORI

Via Dei Laghi
48/B – 36077 Altavilla
Vicenza – ITALY

T: +39 0444 370799
F: +39 0444 370330
E: info@zanardialternatori.it

UNITED KINGDOM

Mecc Alte U.K. LTD
6 Lands' End Way
Oakham
Rutland LE15 6RF

T: +44 (0) 1572 771160
F: +44 (0) 1572 771161
E: info@meccalte.co.uk
aftersales@meccalte.co.uk

SPAIN

Mecc Alte España S.A.
C/ Rio Taibilla, 2
Polig. Ind. Los Valeros
03178 Benijofar (Alicante)

T: +34 (0) 96 6702152
F: +34 (0) 96 6700103
E: info@meccalte.es
aftersales@meccalte.es

CHINA

Mecc Alte Alternator Haimen LTD
755 Nanhai East Rd
Jiangsu HEDZ 226100 PRC

T: +86 (0) 513 82325758
F: +86 (0) 513 82325768
E: info@meccalte.cn
aftersales@meccalte.cn

INDIA

Mecc Alte India PVT LTD
Plot NO: 1, Sanaswadi
Talegaon
Dhamdhare Road Taluka:
Shirur, District:
Pune - 412208
Maharashtra, India

T: +91 2137 673200
F: +91 2137 673299
E: info@meccalte.in
aftersales@meccalte.in

U.S.A. AND CANADA

Mecc Alte Inc.
1229 Adams Drive
McHenry, IL, 60051

T: +1 815 344 0530
F: +1 815 344 0535
E: info@meccalte.us
aftersales@meccalte.us

GERMANY

Mecc Alte Generatoren GmbH
Ensener Weg 21
D-51149 Köln

T: +49 (0) 2203 60541-0
F: +49 (0) 2203 60541-49
E: info@meccalte.de
aftersales@meccalte.de

AUSTRALIA

Mecc Alte Alternators PTY LTD
10 Duncan Road, PO Box 1046
Dry Creek, 5094, South
Australia

T: +61 (0) 8 8349 8422
F: +61 (0) 8 8349 8455
E: info@meccalte.com.au
aftersales@meccalte.com.au

FRANCE

Mecc Alte International S.A.
Z.E. la Gagnerie
16330 St. Amant de Boixe

T: +33 (0) 545 397562
F: +33 (0) 545 398820
E: info@meccalte.fr
aftersales@meccalte.fr

FAR EAST

Mecc Alte (F.E.) PTE LTD
10V Enterprise Road, Enterprise 10
Singapore 627679

T: +65 62 657122
F: +65 62 653991
E: info@meccalte.com.sg
aftersales@meccalte.com.sg



www.meccalte.com

The world's largest independent
producer of alternators 1 – 5,000kVA



MASPA: 03.2022 | V08