

zanardi

AL 16-20F

Zanardi alternatori s.r.l. Via Dei Laghi 48/B 36077 Altavilla Vicentina Vicenza- Italy
 tel.+39 0444 370799 fax.+39 0444370330 e-mail: info@zanardialternatori.it
 web site: www.zanardialternatori.it

2 POLE
1 PHASE
IP23

CHARACTERISTICS

VOLTAGE 35 VAC 1Ph.

Tipo type typ	SPEED	IAC	kVA	EXCITATION	REGULATION	power factor	RENDIMENTO / EFFICIEN- CY/ RENDEMENT/ WIR- KUNGSGRAD / RENDI- MIENTOS (%)d.H			fattore di utilizzo / Duty cycle	RIPPLE
							2/4	3/4	4/4		
AL16FAC	3000	171	6	BRUSHLESS	CAPACITOR	1	78,5	79	78	S1	>45%
AL20F1AC	3000	228,5	8	BRUSHLESS	CAPACITOR	1	78,6	79,5	79,2	S1	>45%

Ambient 40°C

VOLTAGE 24 VDC 3Ph.

Tipo type typ	SPEED	IAC	kVA	EXCITATION	REGULATION	power factor	RENDIMENTO / EFFICIEN- CY/ RENDEMENT/ WIR- KUNGSGRAD / RENDI- MIENTOS (%)d.H			fattore di utilizzo / Duty cycle	RIPPLE
							2/4	3/4	4/4		
AL20F1DC	3000	166	4	BRUSH	COMPOUND	1	78,5	79	78	S1	<15%
AL20F2DC	3000	250	6	BRUSH	COMPOUND	1	79	80,4	80	S1	<15%

POWER 3000 RPM VOLTAGE 28 VDC

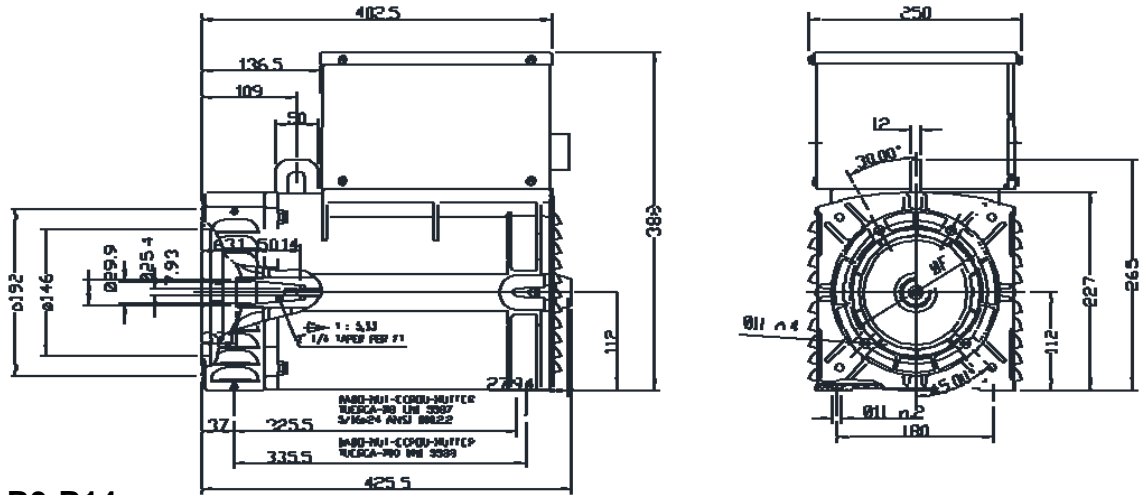
Tipo type typ	SPEED	IAC	kVA	EXCITATION	REGULATION	power factor	RENDIMENTO / EFFICIEN- CY/ RENDEMENT/ WIR- KUNGSGRAD / RENDI- MIENTOS (%)d.H			fattore di utilizzo / Duty cycle	RIPPLE
							2/4	3/4	4/4		
AL20F1DC	3000	142,8	4	BRUSH	COMPOUND	1	78,5	79	78	S1	<15%
AL20F2DC	3000	214	6	BRUSH	COMPOUND	1	79	80,4	80	S1	<15%

Tipo type typ	Peso Weight Poids Gewicht Peso	J Kgm ²	Volume d'aria Air volume- Volume d'air Luftmenge Volumen de aire m ³ /min.		Noise dB (A)			
					50Hz		60Hz	
			50Hz	60Hz	1mt.	7mt.	1mt.	7mt.
AL16F	38	0,0126	3,5	4,3	78	60	80	62
AL20F	52	0,0241	4,7	5,7	81	63	83	65

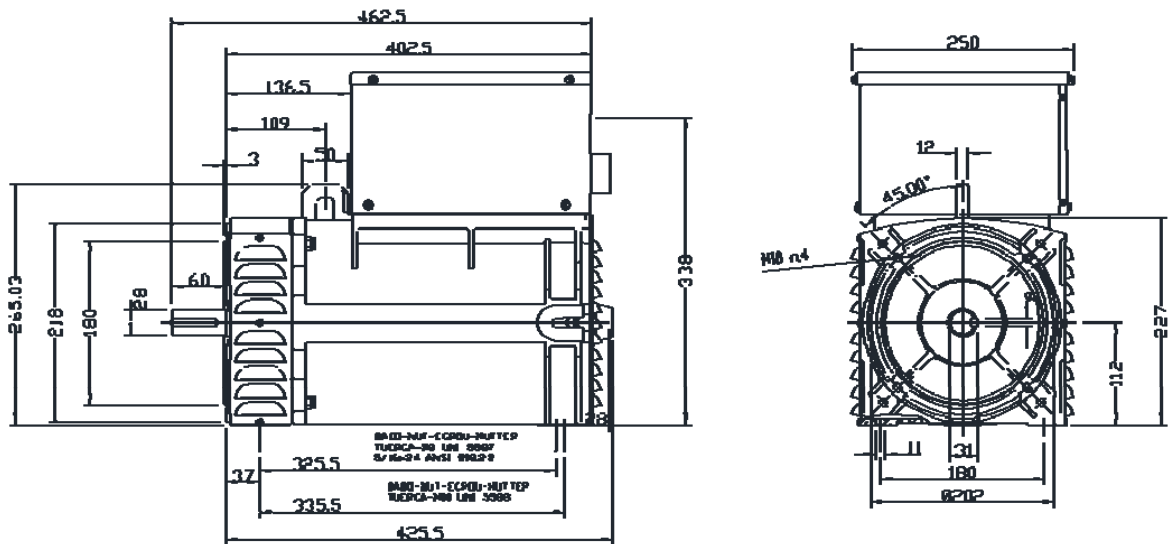


OVERALL DIMENSIONS AL16F

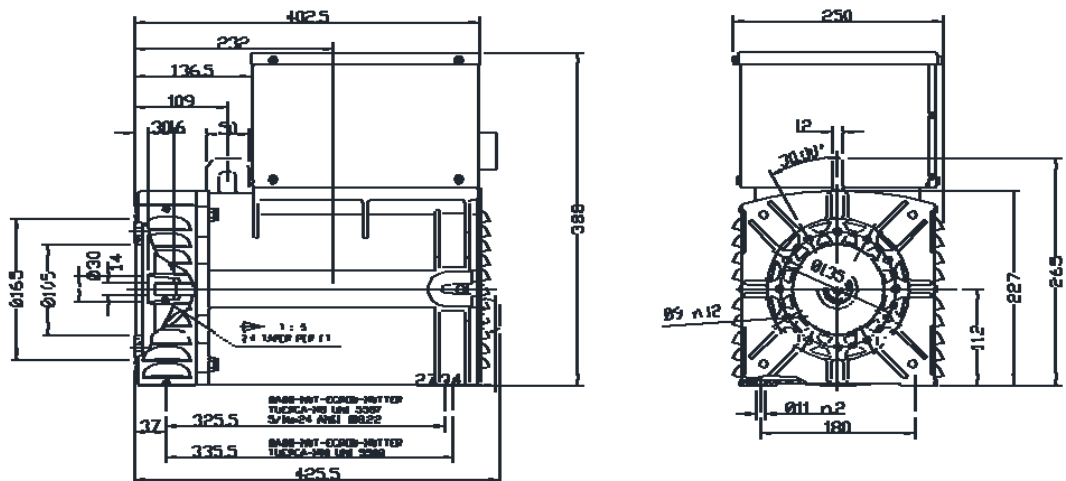
FORMA FORM J609b



FORMA FORM B3-B14



FORMA FORM B9/C30



OVERALL DIMENSIONS AL20F

