

mecc alte

T20F

MECCALTE spa - Via Roma, 20 - 36051 CREAZZO (VI) ITALY
Tel. +39 0444/396111 - Fax +39 0444/396166 - e-mail: info@meccalte.it
website: www.meccalte.com

3 PHASE
2 POLE
IP 23

CHARACTERISTICS

POWER 230/400 V at 3000 RPM - 50 Hz

Type	CL. H ($\Delta T=125^{\circ}\text{C}$)						CL. F ($\Delta T=105^{\circ}\text{C}$)		CL. H ($\Delta T=125^{\circ}\text{C}$)		T.H.D. %
	THREE-PHASE		MOTOR STARTING CAPABILITY KVA	EFFICIENCY			THREE-PHASE		SINGLE-PHASE		
	KVA	KW COS φ 0,8		2/4 %	3/4 %	4/4 %	KVA	KW COS φ 0,8	KVA COS φ 1	MOTOR STARTING CAPABILITY KVA	
T20FS-130	10	8	40	78	82,1	81,5	9	7,2	6,5	25	< 5
T20FS-160	12,5	10	45	78,5	82,5	82	11,5	9,2	8,5	32	< 5
T20F-200	15	12	54	79,1	83,1	82,6	14	11,2	10	38	< 5

POWER 277/480 V at 3600 RPM - 60 Hz

Type	CL. H ($\Delta T=125^{\circ}\text{C}$)						CL. F ($\Delta T=105^{\circ}\text{C}$)		CL. H ($\Delta T=125^{\circ}\text{C}$)		T.H.D. %
	THREE-PHASE		MOTOR STARTING CAPABILITY KVA	EFFICIENCY			THREE-PHASE		SINGLE-PHASE		
	KVA	KW COS φ 0,8		2/4 %	3/4 %	4/4 %	KVA	KW COS φ 0,8	KVA COS φ 1	MOTOR STARTING CAPABILITY KVA	
T20FS-130	12	9,6	48	79,5	83,5	83	10,8	8,6	7,8	30	< 5
T20FS-160	15	12	54	79,5	83,8	83,5	13,8	11	10,2	38	< 5
T20F-200	18	14,4	65	80,1	84,1	83,8	16,5	13,2	12	45	< 5

Type	J (Kgm ²)		Weight (Kg)			Air Volume (m ³ /min)		Noise dB(A)				COUPLING DISCS	
	B3/B14	B3/B9	B3/B14	B3/B9	MD35	50 Hz	60 Hz	50 Hz		60 Hz		SAE N°	J(kgm ²)*
								1m dBA	7m dBA	1m dBA	7m dBA		
T20FS-130	0,0241	0,0231	45,7	44,7	48,7	4,7	5,7	81	63	83	65	6 1/2	0,0082
T20FS-160	0,0288	0,0277	52,7	51,7	55,7								
T20F-200	0,0335	0,0323	60,5	59,5	63,5							7 1/2	0,0098

*The J value of form MD35 is obtained by summing the J of the B3/B14 form with the J of the chosen SAE coupling discs.

Type		TS20FS-130	TS20FS-160	T20F-200
Rating "H" class	kVA 50 Hz	10	12,5	15
Direct axis synchronous reactance	X _d %	403	381	322
Direct - axis transient reactance	X' _d %	45	43	38
Direct - axis subtransient reactance	X'' _d %	25,6	24,1	22,2
Quadrature - axis synchronous reactance	X _q %	125	115	105
Quadrature- axis transient reactance	X' _q %	125	115	105
Quadrature-axis subtransient reactance	X'' _q %	50,5	48,6	46,6
Negative - sequence reactance	X ₂ %	27,3	25,5	21,5
Zero sequence reactance	X ₀ %	10,1	9,6	8,2
Transient time constant	T' _d (ms)	54	51	43
Subtransient time constant	T'' _d (ms)	11	10	9
Armature time constant	T _α (ms)	6	7,5	9
Open circuit time constant	T' _{do} (s)	0,65	0,58	0,5
Short - circuit ratio	K _{cc}	0,63	0,53	0,61
Stator winding resistance	Ω	0,729	0,453	0,362

REGULATOR	PARALLEL DEVICE	THERMAL PROTECTION			HEATERS	MECHANICAL PROTECTION		
COMPOUND TRANS.		PTC	BIMET DEVICE.	PT100		IP21	IP23	IP45
●		<input type="checkbox"/>	<input type="checkbox"/>	<input type="checkbox"/>	<input type="checkbox"/>	●	<input type="checkbox"/>	

● = Standard

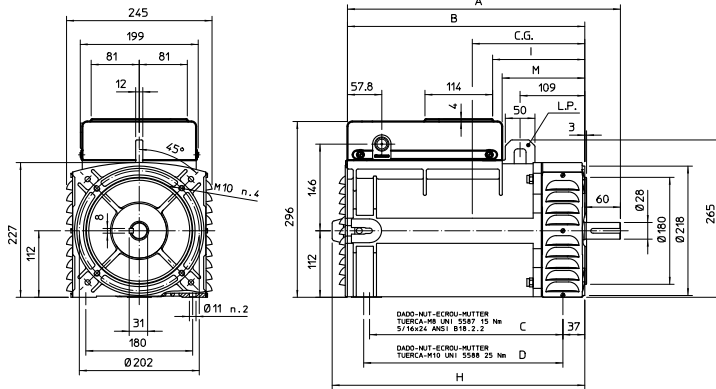
= Optional



OVERALL SIZE, STANDARD TYPE

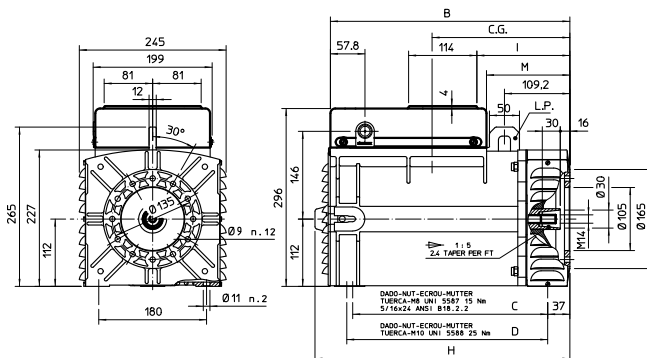
dimensions in mm.

FORMA - FORM B3/B14



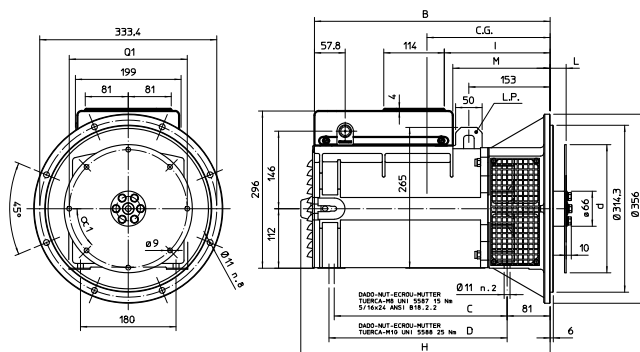
TIPO/TYPE	A	B	C	D	H	I	M	L.P.
T20F	460	400	325,5	335,5	425,5	155	139	YES
T20FS	420	360	285,5	295,5	385,5	115	99	NO

FORMA - FORM B9/C30



TIPO/TYPE	B	C	D	H	I	M	L.P.
T20F	400	325,5	335,5	425,5	155	139	YES
T20FS	360	285,5	295,5	385,5	115	99	NO

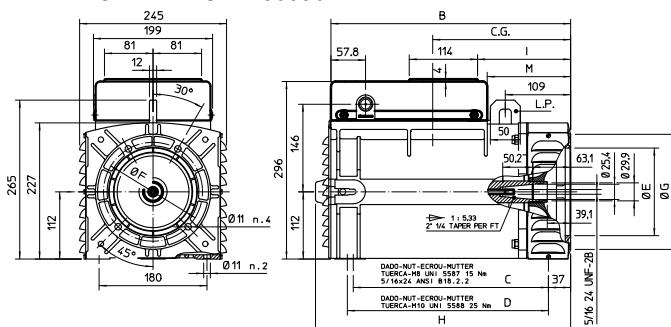
FORMA - FORM MD35



TIPO/TYPE	B	C	D	H	I	M	L.P.
T20F	444	325,5	335,5	469,5	199	183	YES
T20FS	404	285,5	295,5	429,5	159	143	NO

SAE N.	DISC COUPLING					
	L	d	Q1	n. fori	S1	α1
6 1/2	30,2	215,9	200	6	9	60°
7 1/2	30,2	241,3	222,25	8	9	45°

FORMA - FORM J609b

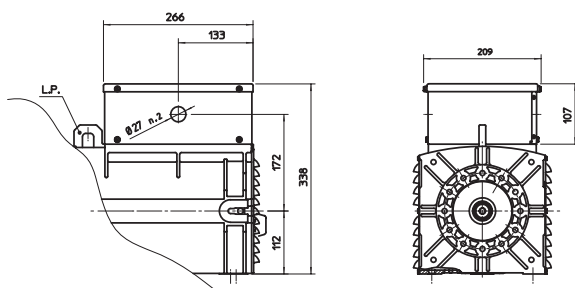


FORM	GRAVITY CENTER CG		
	T 20 FS	T 20 F	
B3/B14	210	203	213
B9/C30	212	205	215
MD35	246	239	249
J609b	212	205	215

TIPO/TYPE	B	C	D	H	I	M	L.P.
T20F	400	325,5	335,5	425,5	155	139	YES
T20FS	360	285,5	295,5	385,5	115	99	NO

OVERALL SIZE WITH ELECTRIC PANELBOARD TYPE

dimensions in mm.



TIPO/TYPE	L.P.
T20F	YES
T20FS	NO